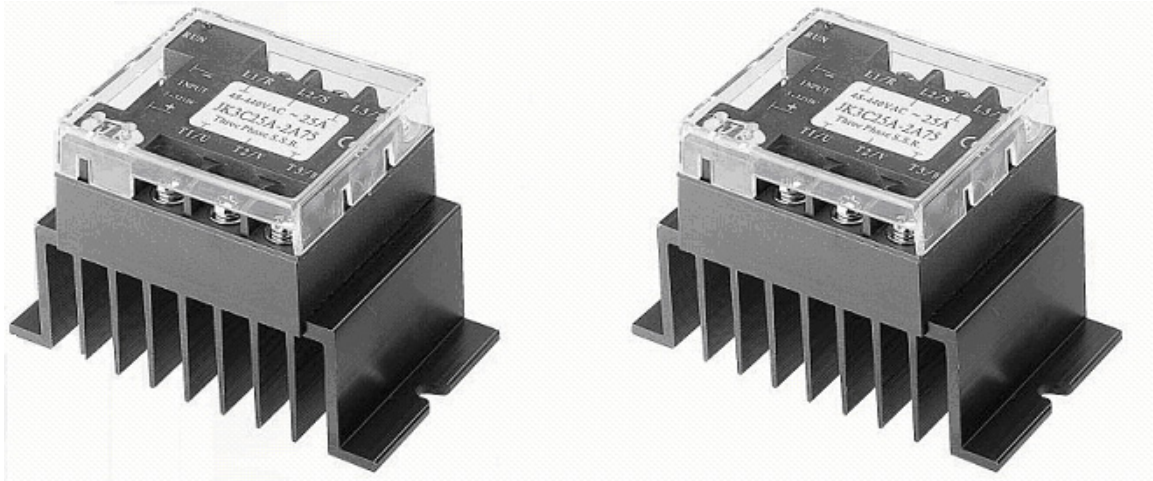


# Three Phase Solid State Relay Random Turn-On

## Product Characteristic

- ◆ Suitable for frequently working motor starting system.  
It can replace electro-magnetic contacts due to their short working life.
- ◆ Suitable for frequent starting of the motor under 220V 5HP, 480V 7.5HP.



## Random turn-On

### >>> Choice of Specification & Models, DC to AC

Work Voltage	Control Voltage	Rated Current	HP	Random Turn-On (Motor)	L (mm)	W (mm)	H (mm)
220V	5 ~ 32V DC	25A	1.5HP	<b>JK2R25A-3A75</b>	126	75	86
		40A	2HP	<b>JK2R40A-3A100</b>	126	100	86
		55A	3HP	<b>JK2R55A-3B75</b>	115	75	136
		75A	5HP	<b>JK2R75A-3B100</b>	115	111	136
380V ∫ 440V	5 ~ 32V DC	25A	2HP	<b>JK3R25A-3A75</b>	126	75	86
		40A	3HP	<b>JK3R40A-3A100</b>	126	100	86
		55A	5HP	<b>JK3R55A-3B75</b>	115	75	136
		75A	7.5HP	<b>JK3R75A-3B100</b>	115	111	136

### >>> Choice of Specification & Models, AC to AC

Work Voltage	Control Voltage	Rated Current	HP	Random Turn-On (Motor)	L (mm)	W (mm)	H (mm)
220V	90 ~ 265 VAC	25A	1.5HP	<b>JKAC2R25A-3A75</b>	126	75	86
		40A	2HP	<b>JKAC2R40A-3A100</b>	126	100	86
		55A	3HP	<b>JKAC2R55A-3B75</b>	115	75	136
		75A	5HP	<b>JKAC2R75A-3B100</b>	115	111	136
380V ∫ 440V	90 ~ 265 VAC	25A	2HP	<b>JKAC3R25A-3A75</b>	126	75	86
		40A	3HP	<b>JKAC3R40A-3A100</b>	126	100	86
		55A	5HP	<b>JKAC3R55A-3B75</b>	115	75	136
		75A	7.5HP	<b>JKAC3R75A-3B100</b>	115	111	136