

Three Phase Power Regulator

■ Product Characteristic

- ◆ This Controller complies with CE international quality standard confirmation.
- ◆ It has R.S.T. one phases fuse wire broken direction light, and offers an output point for abnormal condition, can also be emergency system control.
- ◆ Small size, good cooling with speed fuse wire for semi-conductor use, removing concern for a short circuit caused by overload.
- ◆ Cooling fans have temperature control, the cooling sheet working at 55°C, and stoping at 45°C, this design can extend fan life 2-3 times.
- ◆ Cooling sheet of this controller has the protection installation for overheat and output point abnormal, and the capacity of connecting points is 240VAC/10A.

>>> General Characteristic

Main Power Voltage: 220, 380, 440, 480 VAC

Assistance Voltage: 220ACV±15%; 50/60Hz

**Rated Current: 25A/35A/50A/60A/80A/100A/125A/160A/180A/225A/300A
350A/400A/600A**

Work Frequency: 47 ~ 63Hz

Output Type: Phase Angel, Zero Crossing

**Phase Input Control Signal: 4 ~ 20mA, 0 ~ 5V, 0-10V, 2 ~ 10V, 8's
Soft Start Manual/Auto Relay**

**Zero Input Control Signal: 4 ~ 20mA, 1 ~ 5V, 0-10V, 2 ~ 10V
Manual/Auto Replay**

Output Voltage Range: 0 ~ 100%

Use Environment: Humidity Under 90% RH

Insulation Resistance:

Over 20MΩ(Power & External Cover)

Over 20MΩ(Input Signal & External Cover)

Strength of Press-Resisted:

2500VAC/1 Min. between power & external cover

1000VAC/1 Min. between power & external cover

Three Phase Power Regulator, 3 ϕ 3W

>> Choice of Specification & Models

Assistance Voltage	MainPower Voltatge	Rated Current	Model 3 ϕ 3W	L (mm)	W (mm)	H (mm)	P
220V	208V ~ 240V	25A	JK3PS-22025	220	142	154	1
		35A	JK3PS-22035	220	142	154	1
		50A	JK3PS-22050	243	142	154	2
		60A	JK3PS-22060	243	142	154	2
		80A	JK3PS-22080	243	142	154	2
		100A	JK3PS-22100	243	142	154	2
		125A	JK3PS-22125	305	141	172	3
		160A	JK3PS-22160	305	141	172	3
		180A	JK3PS-22180	400	263	210	4
		225A	JK3PS-22225	400	263	210	5
		250A	JK3PS-22250	400	263	210	5
		300A	JK3PS-22300	400	263	210	5
		350A	JK3PS-22350	527	306	246	6
		400A	JK3PS-22400	527	306	246	6
220V	380V ~ 480V	25A	JK3PS-48025	220	142	154	1
		35A	JK3PS-48035	220	142	154	1
		50A	JK3PS-48050	243	142	154	2
		60A	JK3PS-48060	243	142	154	2
		80A	JK3PS-48080	243	142	154	2
		100A	JK3PS-48100	243	142	154	2
		125A	JK3PS-48125	305	141	172	3
		160A	JK3PS-48160	305	141	172	3
		180A	JK3PS-48180	400	263	210	4
		225A	JK3PS-48225	400	263	210	5
		250A	JK3PS-48250	400	263	210	5
		300A	JK3PS-48300	400	263	210	5
		350A	JK3PS-48350	527	306	246	6
		400A	JK3PS-48400	527	306	246	6



P1



P2



P3



P4



P5



P6

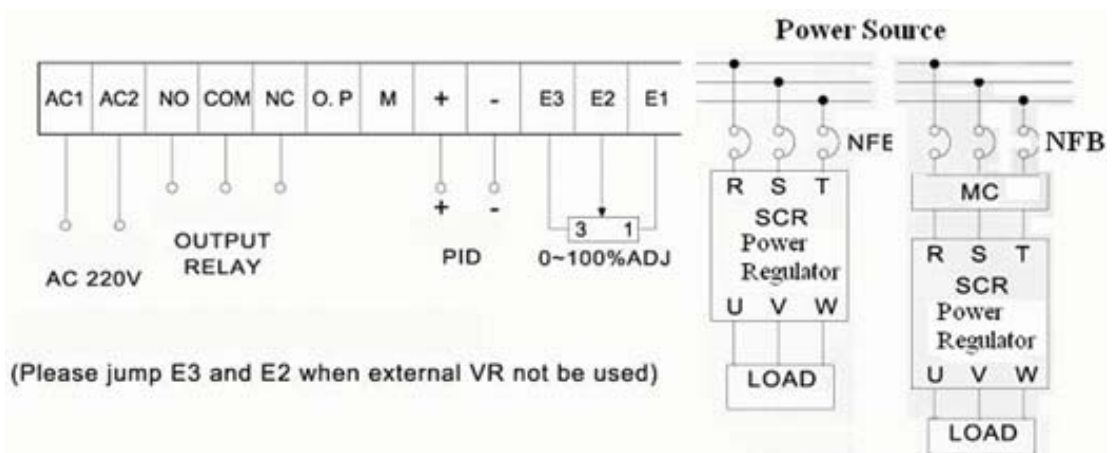
Three Phase Power Regulator, 3 ψ 2W

>>> Choice of Specification & Models

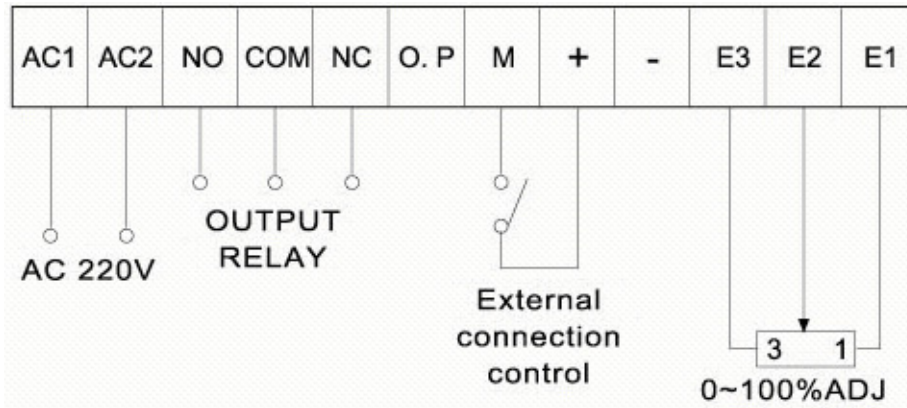
Assistance Voltage	Main Power Voltage	Rated Current	Model 3 ψ 2W	L (mm)	W (mm)	H (mm)	P
220V	208V ~ 240V	25A	JK2PSZ-22025	220	142	154	1
		35A	JS2PSZ-22035	220	142	154	1
		50A	JK2PSZ-22050	243	142	154	1
		60A	JK2PSZ-22060	243	142	154	2
		80A	JK2PSZ-22080	243	142	154	2
		100A	JK2PSZ-22100	243	142	154	2
		125A	JK2PSZ-22125	305	141	172	3
		160A	JK2PSZ-22160	305	141	172	3
		180A	JK2PSZ-22180	355	141	172	4
		225A	JK2PSZ-22225	400	263	210	5
		250A	JK2PSZ-22250	400	263	210	5
		300A	JK2PSZ-22300	400	263	210	5
		350A	JK2PSZ-22350	400	263	210	5
		400A	JK2PSZ-22400	400	263	210	5
		600A	JK2PSZ-22600	527	306	246	6
220V	380V ~ 480V	25A	JK2PSZ-48025	220	142	154	1
		35A	JK2PSZ-48035	220	142	154	1
		50A	JK2PSZ-48050	220	142	154	1
		60A	JK2PSZ-48060	243	142	154	2
		80A	JK2PSZ-48080	243	142	154	2
		100A	JK2PSZ-48100	243	142	154	2
		125A	JK2PSZ-48125	305	141	172	3
		160A	JK2PSZ-48160	305	141	172	3
		180A	JK2PSZ-48180	355	141	172	4
		225A	JK2PSZ-48225	400	263	210	5
		250A	JK2PSZ-48250	400	263	210	5
		300A	JK2PSZ-48300	400	263	210	5
		350A	JK2PSZ-48350	400	263	210	5
		400A	JK2PSZ-48400	400	263	210	5
		600A	JS2PSZ-48600	527	306	246	6

>>> General Characteristic

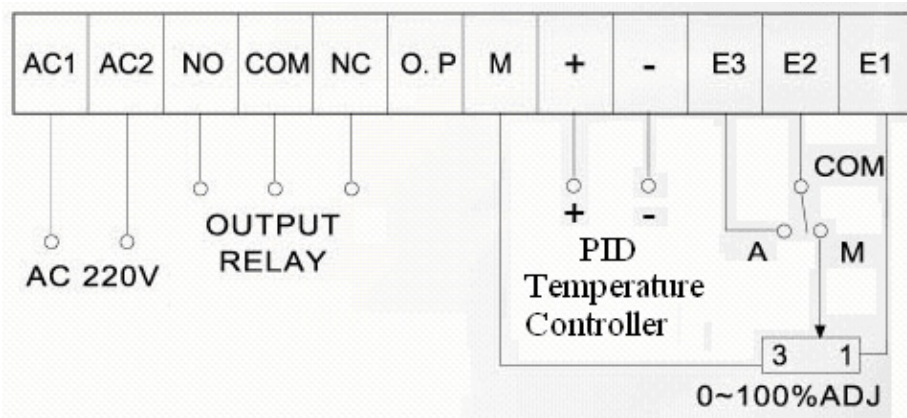
■ Analog Voltage, Current Input with Adjustable External VR



■ **Contact Input with Adjustable External VR**

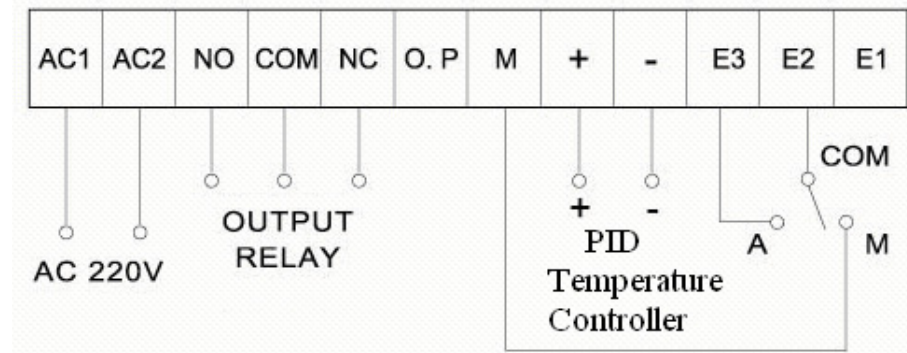


■ **Auto Control of PID Control of VR**



☆ M: DC5 V/100Ma output of temperature controller.

■ **Auto Control of PID/Manual Full Load of Output**



■ **External Connection Control of PID Input Signal**

